



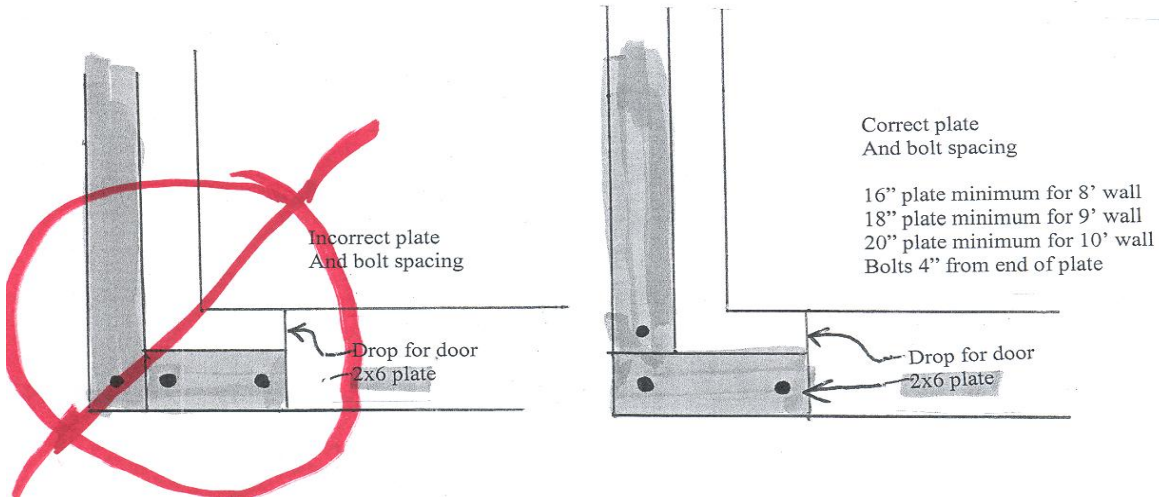
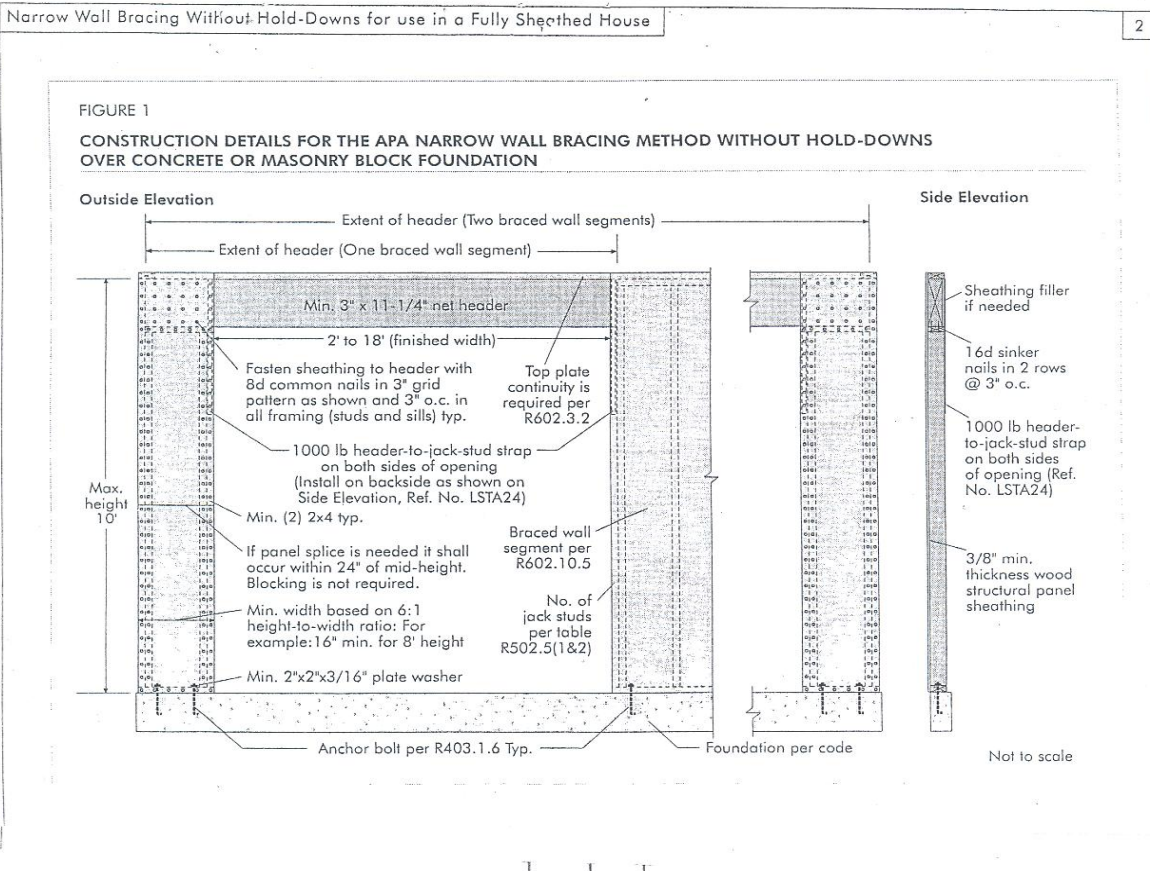
# Town of Charlton

www.townofcharlton.net

DEPARTMENT of BUILDING  
INSPECTIONAL SERVICES

37 MAIN STREET  
CHARLTON, MA 01507  
508-248-2241  
FAX: 508-248-2373

## Guidance for APA Portal Bracing



Curtis Meskus - Building Commissioner/Zoning Enforcement Officer

Peter Starkus - Plumbing & Gas Inspector  
James Jones - Inspector of Wires  
Nancy Shields - Administrative Assistant